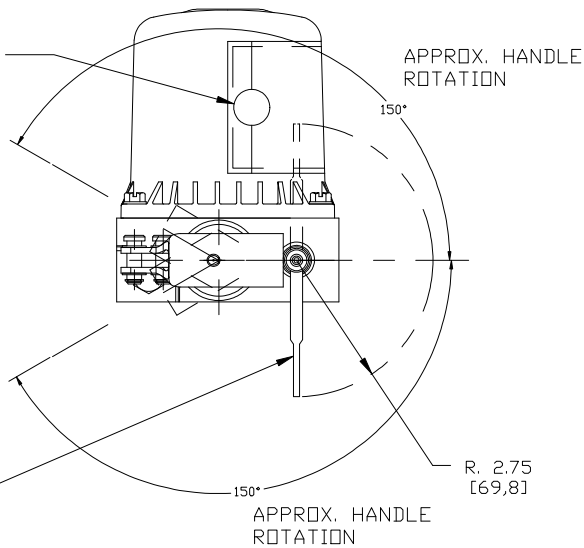


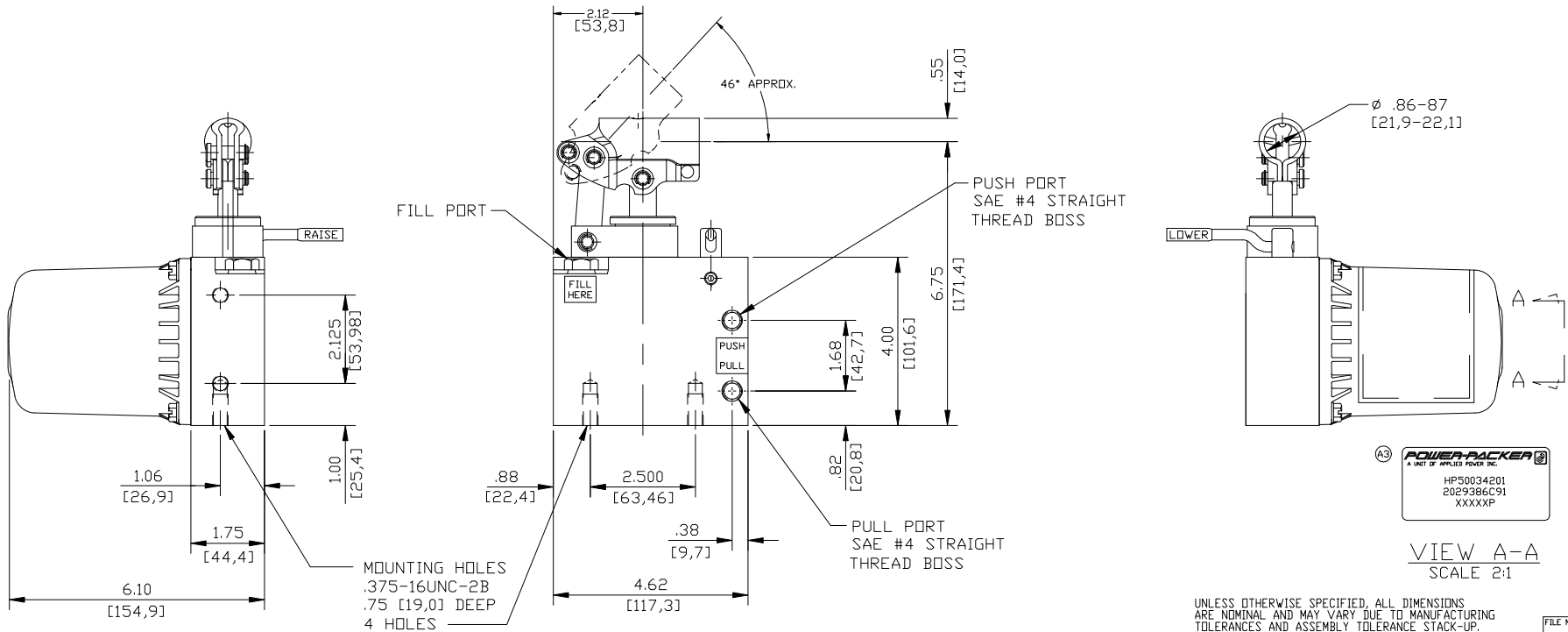
WARNING DECAL WITH PAINT MASK.  
 Ⓐ NAVISTAR PART NO. 1672229C1  
 WITH WHITE IDENTIFICATION CIRCLE.



RAISE / LOWER SHIFT LEVER TO BE  
 IN "LOWER" POSITION, AS SHOWN  
 DURING VEHICLE OPERATION.

SPECIFICATIONS:

POWER-PACKER PART NUMBER	HP50034201
NAVISTAR PART NUMBER	2029386C91
RELIEF VALVE SETTING	4000-4300 PSI [275-297 BAR]
Ⓐ MAX. OPERATING PRESSURE	4400 PSI [303,4 BAR]
RECOMMENDED OPERATING TEMP.	-30°F TO 130° [-34°C TO 54°C]
PUMP PLUNGER DIA.	.69 [17,5]
PUMP PLUNGER EFFECTIVE AREA	.371 SQ IN [2,39 SQ CM]
STROKE	1.00 [25,4]
VOLUME PER STROKE	.371 CU IN [6,08 CU CM]
RESERVOIR CAPACITY	35 CU IN USEABLE [574 CU CM] USEABLE
RESERVOIR VENT RELIEF SETTING	50-75 PSI [3,4-5,2 BAR]
MAX. PORT FITTING TORQUE	10-12 FT LBS
PUMP RETURN DRIFICE DIA.	.018 [0,46]
MAX. MOUNTING BOLT TORQUE	16-19 FT LBS
MIN. MOUNTING BOLT ENGAGEMENT	.50 [12,7]
RECOMMENDED FLUID	PER MIL-H-5606 OR EQUIV. DO NOT USE ATF
WEIGHT	5.3 LBS [2,4 kg]
CORROSION RESISTANCE	250 HRS PER ASTM B117
PAINT SPECIFICATIONS	SEMI-GLOSS BLACK



VIEW A-A  
 SCALE 2:1

UNLESS OTHERWISE SPECIFIED, ALL DIMENSIONS  
 ARE NOMINAL AND MAY VARY DUE TO MANUFACTURING  
 TOLERANCES AND ASSEMBLY TOLERANCE STACK-UP.

FILE NO 000154

REVISED BEAM, PINS & CLIPS 10-014-S JH 30459 1/5 DMS 4-4-94 30404 RELEASED 12-28-93	DIMENSIONS IN BRACKETS ARE IN [mm]		<b>POWER-PACKER.</b> A UNIT OF APPLIED POWER INC.		12801 WEST SILVERSPRING RD. BUTLER, WISCONSIN 53007	
	Specification Sheet					DESCRIPTION TILT CAB PUMP
ECD CHANGES DATE MODEL NO. HP50034201	BR. DMS CH. MP. J	DATE 12/14/93 DATE 1-7-94	DRAWING NO. PID 110		DWG. SIZE C	