

RAISE / LOWER SHIFT LEVER TO BE IN "LOWER" POSITION, AS SHOWN DURING VEHICLE OPERATION.

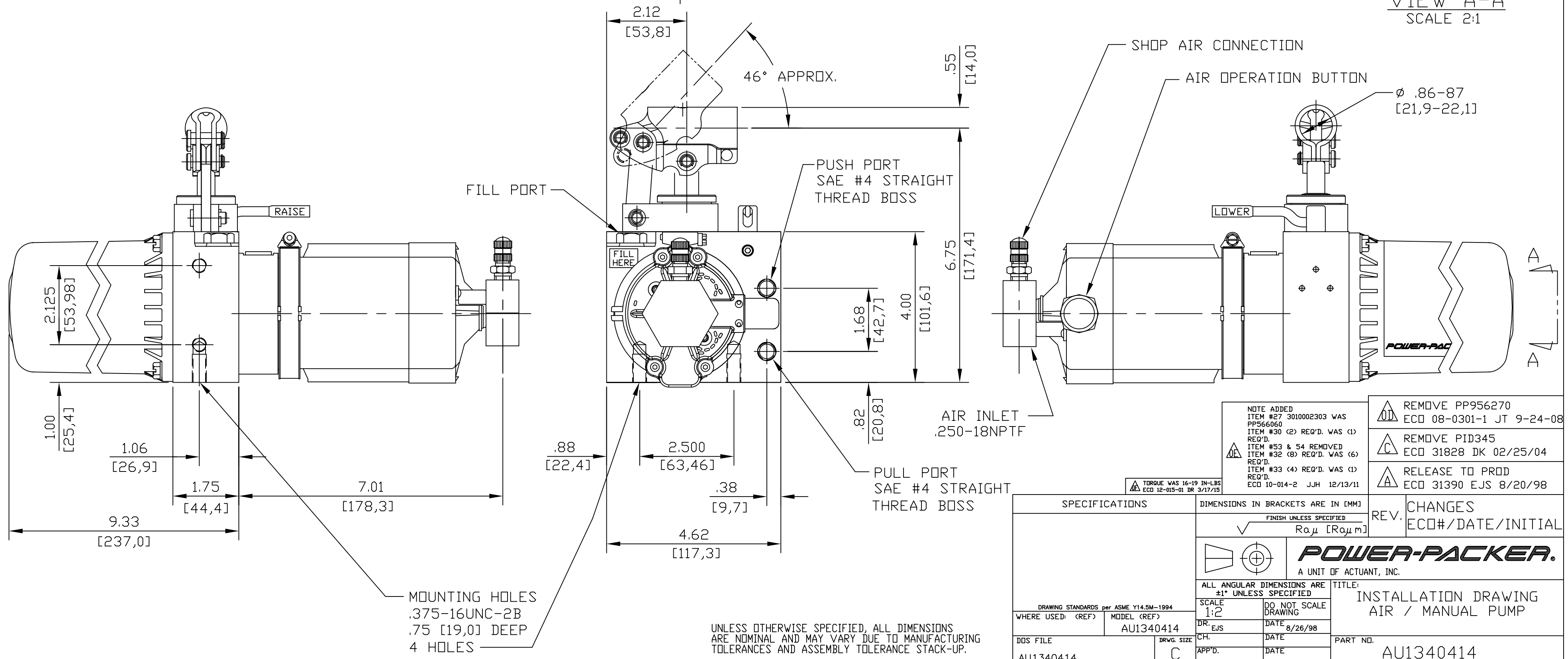
SPECIFICATIONS:

- RELIEF VALVE SETTING _____ 4000-4300 PSI [275,8-296,5 BAR]
- MAX. OPERATING PRESSURE _____ 4400 PSI [303,4 BAR]
- RECOMMENDED OPERATING TEMP. _____ -30°F TO 130° [-34°C TO 54°C]
- PUMP PLUNGER DIA. _____ .69 [17,5]
- PUMP PLUNGER EFFECTIVE AREA _____ .371 SQ IN [2,39 SQ CM]
- STROKE _____ 1.00 [25,4]
- VOLUME PER STROKE _____ .371 CU IN [6,08 CU CM]
- AIR PUMP PLUNGER DIA. _____ .38 [9,6]
- RECOMMENDED AIR PRESSURE RANGE _____ 60-120 PSI [4,1-8,3 BAR]
- RESERVOIR CAPACITY _____ 65 CU IN [1065 CU CM] USEABLE
- RESERVOIR VENT RELIEF SETTING _____ 50-75 PSI [3,4-5,2 BAR]
- MAX. PORT FITTING TORQUE _____ 10-12 FT LBS
- PUMP RETURN ORIFICE DIA. _____ .018 [0,46]
- MAX. MOUNTING BOLT TORQUE _____ 16-19 FT LBS
- MIN. MOUNTING BOLT ENGAGEMENT _____ .50 [12,7]
- RECOMMENDED FLUID _____ PER MIL-H-5606 OR EQUIV.
DO NOT USE ATF
- WEIGHT _____ 8.0 LBS [3,6 kg]
- CORROSION RESISTANCE _____ 250 HRS PER ASTM B117
- COATING SPECIFICATIONS _____ BLACK ANODIZED

- RECOMMENED MIN. AIR SUPPLY.
1. MIN. OF 3/8" ID SUPPLY LINE
 2. MIN. OF 60 PSI AND MAX. OF 120 PSI.
 3. MIN. OF 8 SCFM (Standard Cubic Feet per Minute)



VIEW A-A
SCALE 2:1



NOTE ADDED
ITEM #27 3010002303 WAS
PP565060
ITEM #30 (2) REQ'D. WAS (1)
REQ'D.
ITEM #53 & 54 REMOVED
ITEM #32 (8) REQ'D. WAS (6)
REQ'D.
ITEM #33 (4) REQ'D. WAS (1)
REQ'D.
ECD 10-014-2 JJH 12/13/11

REMOVE PP956270
ECD 08-0301-1 JT 9-24-08

REMOVE PID345
ECD 31828 DK 02/25/04

RELEASE TO PROD
ECD 31390 EJS 8/20/98

TORQUE WAS 16-19 IN-LBS
ECD 12-015-01 BK 3/17/15

SPECIFICATIONS		DIMENSIONS IN BRACKETS ARE IN [MM]		REV.	CHANGES ECC# / DATE / INITIAL
WHERE USED (REF)	MODEL (REF)	FINISH UNLESS SPECIFIED Ra μm [Roz μm]			
	AU1340414	✓			
DRAWING STANDARDS per ASME Y14.5M-1994		ALL ANGULAR DIMENSIONS ARE ±1° UNLESS SPECIFIED		TITLE: POWER-PACKER. A UNIT OF ACTUANT, INC. INSTALLATION DRAWING AIR / MANUAL PUMP	
DOS FILE	DRWG. SIZE	SCALE	DO NOT SCALE DRAWING	DATE	PART NO.
AU1340414	C	1:2	8/26/98		AU1340414
APP'D.	DATE	DATE			

UNLESS OTHERWISE SPECIFIED, ALL DIMENSIONS ARE NOMINAL AND MAY VARY DUE TO MANUFACTURING TOLERANCES AND ASSEMBLY TOLERANCE STACK-UP.